

JLG 600 SERIES



- Choice of models with working heights from 20 m to 22 m *
- Fast boom and drive speeds improve work productivity
- Multiple simultaneous boom functions get you to the job quicker
- Proportional controls achieve smoother movement for operator comfort
 - Excellent manoeuvrability for positioning of machine and platform
- Handle the roughest of terrain with increased engine power

* Model 600S & 600SJ - 20 m working height
Model 660SJ - 22 m working height

For more details check the JLG Technical Specification Guide or ask your local JLG representative.



Oscillating axle option for tough travel

Provides increased traction when travelling.



Controls designed for ease of operation

Easier to operate when positioning and controlling movement.



Articulating Jib*

Allows for greater versatility when positioning the platform around obstacles.
* Models 600SJ and 660SJ.



Diagnostic Ground Control Console

Console features three-dimensional decal plus diagnostic maintenance sensors.



Low mount platform access

Step-in entry height and high strength railings provide operator both convenience and security.



Greater serviceability

Improved access with an engine swing-out tray.



T: 01332 856 359 F: 01332 810 769

E: info@workplatformltd.co.uk W: www.workplatformltd.co.uk

JLGEUROPE

JLG Industries (Europe), A Division of JLG Industries, Inc.
Kilmartin Place, Tannochside Park,
Uddingston, G71 5PH, Scotland.
Tel: 01698 811005
Fax: 01698 811055

www.jlg.com



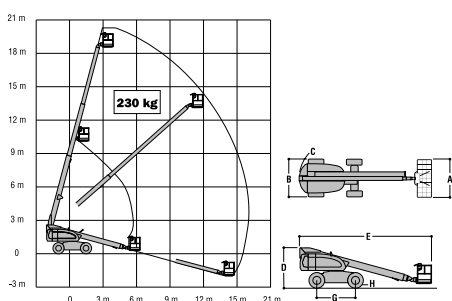
600 SERIES TELESCOPIC BOOM LIFTS

	600S	600SJ	660SJ
Platform Height	18.29 m	18.29 m	20.12 m
Horizontal Outreach	15.09 m	15.34 m	17.30 m
Swing (Continuous)	360°	360°	360°
Platform Capacity – Unrestricted	230 kg	230 kg	230 kg
Platform Rotator (Hydraulic)	160°	180°	180°
Jib – Overall Length	—	1.83 m	1.83 m
Jib - Range of articulation	—	130° (+70°/-60°)	130° (+70°/-60°)
A. Platform Size	0.91 m x 1.83 m	0.91 m x 1.83 m	0.91 m x 1.83 m
B. Overall Width	2.44 m	2.44 m	2.44 m
C. Tailswing (working condition)	1.14 m	1.14 m	1.14 m
D. Stowed Height	2.56 m	2.56 m	2.56 m
E. Overall Length	8.61 m	10.16 m	10.84 m
F. Stowed Length	8.61 m	9.55 m	10.31 m
G. Wheelbase	2.48 m	2.48 m	2.48 m
H. Ground Clearance	0.30 m	0.30 m	0.30 m
Gross Vehicle Weight*	10,800 kg	11,525 kg	13,115 kg
Maximum Ground Bearing Pressure	4.22 kg/cm ²	4.36 kg/cm ²	4.96 kg/cm ²
Maximum Tyre Load	5,354 kg	5,626 kg	6,455 kg
Drive Speed 2WD	7.2 km/h	7.2 km/h	7.2 km/h
Drive Speed 4WD	6.4 km/h	6.4 km/h	6.4 km/h
Gradeability 2WD	30%	30%	30%
Gradeability 4WD	45%	45%	45%
Tyres	15 x 19.5 Foam Filled	15 x 19.5 Foam Filled	15 x 19.5 Foam Filled
Axle Oscillation (optional)	0.20 m	0.20 m	0.20 m
Turning Radius – Inside 2WS	3.66 m	3.66 m	3.66 m
Turning Radius – Inside 4WS	1.65 m	1.65 m	1.65 m
Turning Radius – Outside 2WS	5.41 m	5.41 m	5.41 m
Turning Radius – Outside 4WS	3.45 m	3.45 m	3.45 m
Diesel Engine	48.5 kW Deutz F4M1011E	48.5 kW Deutz F4M1011E	48.5 kW Deutz F4M1011E
Fuel Tank Capacity	147.6 L	147.6 L	147.6 L
Hydraulic Reservoir	117.3 L	117.3 L	117.3 L
Auxiliary Power	12V DC	12V DC	12V DC

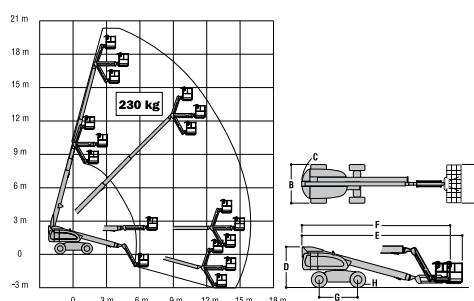
*Certain options or country standards will increase weight.

Specifications may change to meet country standards or with the addition of optional equipment.

JLG MODEL 600S



JLG MODEL 600SJ



JLG MODEL 660SJ

