

510 Series

ARTICULATING BOOM LIFTS



Swing out engine for ease of service



Operator's tool tray for convenient storage



Articulating jib feature for versatile positioning

510AJ

www.jlg.com



More reach, more control, more productivity, more value!

The new JLG Model 510AJ provides even greater choice with its 15.8 m platform height and superb working envelope that combines 9.5 m outreach with 7.6 m up and over height - putting this machine in a class of its own. Featuring standard four-wheel drive and oscillating axle, the model 510AJ provides outstanding rough terrain performance when you need it.

With a selection of value packed features to help improve operation and optimise productivity, you'll find that there is a lot more to the new Model 510AJ from JLG.



Standard Four Wheel Drive and Oscillating Axle

The Model 510AJ features four wheel drive for superior rough terrain performance. Combined with the oscillating axle feature, the 510AJ is able to climb an impressive 45% gradeability.



Control ADE™ (Advanced Design Electronics) System



Helps optimise productivity while lowering your ownership and operating costs. The Control ADE™ System provides smoother machine functions, increased fuel efficiency and reduced emissions, and reduces the number of wires and connections for enhanced reliability. Troubleshooting time is reduced with its self-test capability and function speeds can be customised to meet customer preferences.

Create Your Workstation in the Sky™

Available on the JLG Model 510AJ - the Workstation in the Sky™ Series of access platform accessories and attachments are major innovations in aerial work platform design to make above ground jobs even more efficient and free operators from ground-based tools; relieve job site congestion; reduce noise, emissions and fuel consumption; and conserve platform space to enhance working conditions for the operator.



SkyPower™ Package - the power behind your work station

The enabling power source to run a variety of productivity-enhancing accessories. The 510AJ boom lift can be fitted with an optional engine driven, self-contained 7,500 watt generator with power lines running inside the power track to AC outlets in the platform.



SkyWelder™ Package

The JLG SkyWelder™ package – a 250 amp welder in the platform (powered by the integrated SkyPower™ generator). The package includes a Miller® welding unit that provides a 5 to 250 amp range and can be used for stick and TIG welding applications. Power runs through the boom's power track from the SkyPower™ generator. This enables simultaneous use of power tools such as grinders for use when welding.

Side entry platform

Equipped with a side-entry gate and low entry height for improved access and allowing accessories to be fitted to the front of the platform.

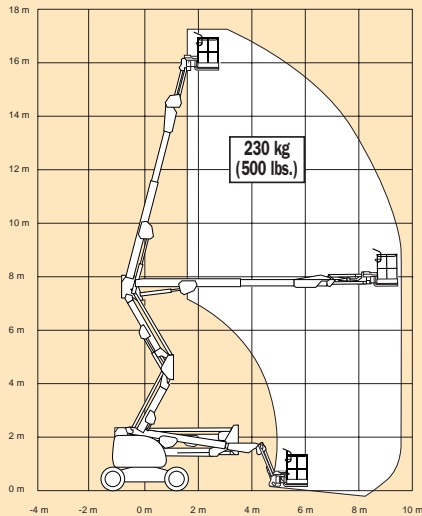


Outstanding reach, up and over obstacles

Model 510AJ has exceptional clearance of 7.63 m and horizontal reach of 9.48 m to get to the work area.

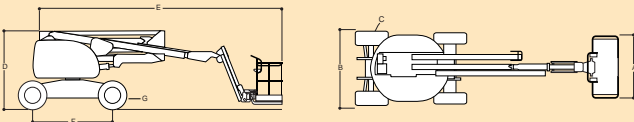


JLG MODEL 510AJ



REACH SPECIFICATIONS

Platform Height	15.81 m (51 ft 10 in.)
Horizontal Reach	9.48 m (31 ft. 1.5 in.)
Up and Over Height	7.63 m (25 ft. 0.5 in.)
Turntable Rotation (non continuous)	360°
Platform Capacity – Unrestricted.	230 kg (500 lbs.)
Platform Rotator (Hydraulic).	180°
Jib – Overall Length.	1.24 m (4 ft. 1in.)
Jib – Range of articulation	145° (+75° / -70°)



DIMENSIONAL DATA

A. Platform Size	0.76 m x 1.83 m (30 in. x 72 in.)
B. Overall Width with 12 x 16.5 tyres	2.26 m (7 ft. 5 in.)
Overall Width with 33/1550 x 16.5 tyres	2.34 m (7 ft. 8 in.)
C. Tailswing (working condition)	Zero
D. Stowed Height	2.26 m (7 ft. 5 in.)
E. Stowed Length	7.68 m (25 ft. 2.5 in.)
F. Wheelbase	2.34 m (7 ft. 8 in.)
G. Ground Clearance	0.36 m (1 ft. 2 in.)
Gross Vehicle Weight*	7,300 kg (16,100 lbs)
Maximum Ground Bearing Pressure	3.37 kg/cm ² (47 psi)
Drive Speed	7.2 km/h (4.5 mph)
Gradeability	45%

CHASSIS

Tyres - Standard	Foam Filled 12 x 16.5
Tyres - Optional	Foam Filled 33/1550 x 16.5
Axle Oscillation (standard)	0.10 m (4 in.)
Turning Radius – Inside	2.00 m (6 ft 7 in.)
Turning Radius – Outside	5.00 m (16 ft 5 in.)

POWER SOURCE

Diesel Engine (Deutz F3M1011)	35kW
Fuel Tank Capacity	62.5 L (16.5 gal.)
Hydraulic Reservoir	113.6 L (30 gal.)
Auxiliary Power	12V DC

Standard Features

0.76 m x 1.83 m (30 in. x 72 in.) low mount side entry platform, Side entry with inward swing gate, Multiple function operation, Full proportional drive/steer joystick control, Full proportional main boom and swing joystick control, Variable speed dial control for lower boom, telescope and platform rotate, 1.24 m (4 ft. 11 in.) articulating jib, 180 degree powered platform rotator, Platform console machine status light panel¹, AC power cable to platform, Deutz F3M1011 diesel engine, Engine distress warning system², Gull-wing turntable hoods, Swing-out engine tray, Spark arresting muffler, Control ADE™ – Advanced Design Electronics System, Hydrostatic transmission, Four wheel drive, Horn, 4 degree tilt alarm and indicator light, Rim protector foam filled lug tread tyres 12 x 16.5, Oscillating axle, Lifting/tie down lugs, Hour meter, Ground control selector switch with key lock, Noise reduction package, Platform tool tray, 12V-DC auxiliary power.

Available Options

0.76 m x 1.52 m (30 in. x 60 in.) low mount side entry platform, 0.76 m x 1.22 m (30 in. x 48 in.) low mount side entry platform, 12 mm air line to platform, Boom wipers, 33/1550 x 16.5 wide foam filled tyres, On-board 2500W generator, SkyPower™ Package 7,500 watt on-board generator, SkyWelder™ Package 250 amp welder in the platform³, Travel alarm, All motion alarm, Platform work lights, Head and tail lights, Nite-Bright™ accessory package (consists of six 40 watt lights), Flashing amber beacon, Hostile environment package⁴, Catalytic Purifier Muffler, Storage tray.

¹ Provides indicator lights at platform control console for system distress, low fuel, 4 degree tilt light, and foot switch status.

² Low oil pressure and high coolant temperature alarms.

³ Available when integrated with the SkyPower™ package

⁴ Includes console cover, boom wipers and cylinder bellows.

*Certain options or country standards will increase weight.

Specifications may change to meet country standards or with the addition of optional equipment.



Ground control console

Console is conveniently located at eye level and features a three-dimensional decal. A detailed light panel provides status of specified machine conditions, including various self-diagnostic maintenance sensors.



Platform Controls

Features fully proportional multi-function control capability providing optimum travel control and more efficient positioning to the elevated work location.

A console light panel informs the operator of various condition sensors such as fuel level, engine distress, and control enable status. Easy-to-replace console decals feature large, colourful, easy-to-identify graphical symbols.

The JLG "1 & 5" Warranty

JLG Industries, Inc. backs our products with our exclusive "1 & 5" Warranty. We provide coverage on all products for one (1) full year, and cover all specified major structural components for five (5) years. Due to continuous product improvements, we reserve the right to make specification and/or equipment changes without prior notification.

This machine meets or exceeds applicable Regulations as originally manufactured for intended applications.



T: 01332 856 359 F: 01332 810 769

E: info@workplatformltd.co.uk W: www.workplatformltd.co.uk

JLG Industries, Inc.

Kilmartin Place, Tannochside Park,
Uddingston, G71 5PH, Scotland
Tel: 01698 811005 Fax: 01698 811055
e-mail address: europe@jlg.com

